

## Installation Instructions

### 1.0 General

The D7050-B6 base is designed for use with the D7050 Series Photoelectric Smoke Detectors. They should be installed in accordance with NFPA 72, "The National Fire Alarm Code."

**Note:** To ensure proper system operation, this and the following documents should be read and understood prior to beginning the installation:

- Installation Instructions for the D7050 Series Photoelectric Smoke Detectors (P/N: 47458)
- NFPA Standard 72.

This document covers only the information necessary to mount and wire the bases. Other information is available as follows:

- Installation guidelines are discussed in document (P/N: 26715).
- Information regarding power requirements, testing, and maintenance is included in the D7050 Installation Instructions (P/N: 47458).

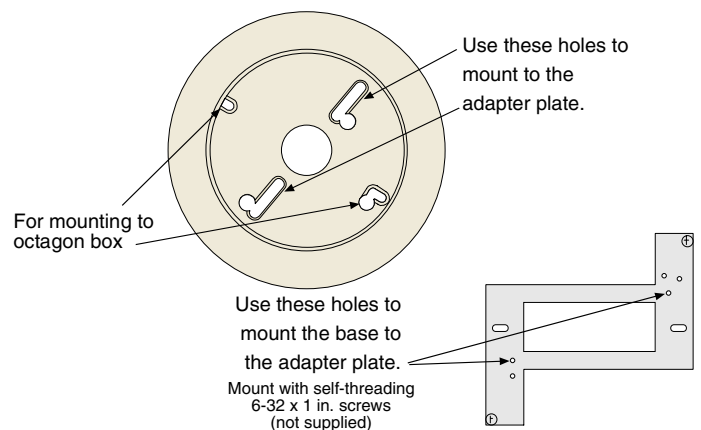
### 2.0 Mounting

- Select mounting locations based on the document installation guidelines (P/N: 26715).
- Pre-run all system wiring.
- Mount the base using two oblong mounting holes.
- Tighten the base to the mounting surface.
- If mounting to 4 in. (.10 m). square boxes, use the adapter plate.
  - Mount the adapter plate to the box first.
  - Mount the base to the adapter plate and box using two of the oblong mounting holes.

Depending on local regulations, the bases may be surface mounted using anchors, mollies, or wing nuts; or mounted directly to 4 in. (.10 m) octagonal electrical boxes and single gang switch boxes.

**Note:** The volume of any electrical box used should be adequate to accommodate the number and size of conductors as specified by the National Electrical Code or any local regulations having jurisdiction.

- Review Wiring Information in Section 3.0.
- Connect the wiring to the bases.

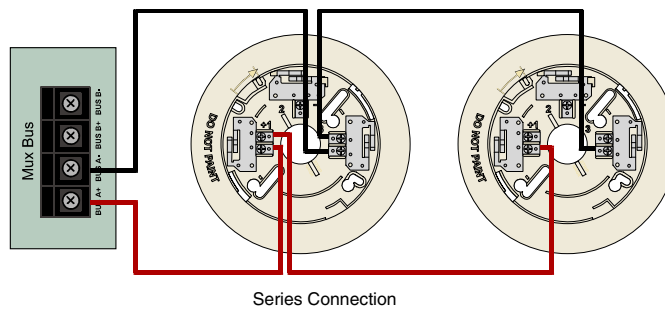
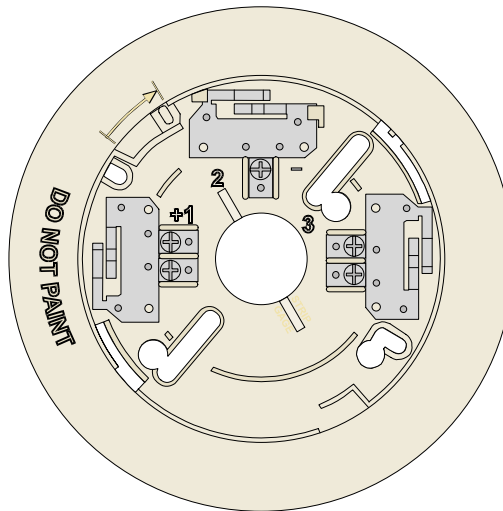


### 3.0 Wiring

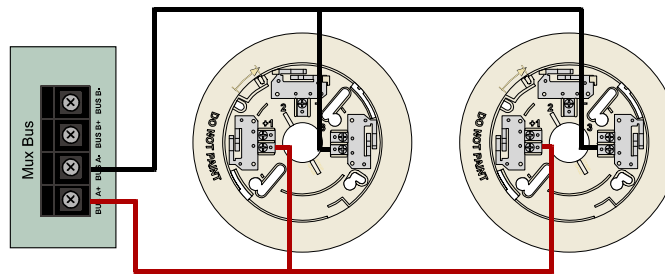
The D7050-B6 Base may be wired in a series or "T" tap method.

**Note:** Terminals 1 and 3 both have 2 terminal screws. You may use either (or both) of these screws for your connections. When wiring the bases in series, one wire is connected to each screw terminal. When wiring the bases in a "T" tap manner, either screw may be used.

- Terminal 1: Connects to MUX Bus +.
- Terminal 2: Remote terminal.
- Terminal 3: Connects to MUX Bus -.



Series Connection



"T" Tap Connection